

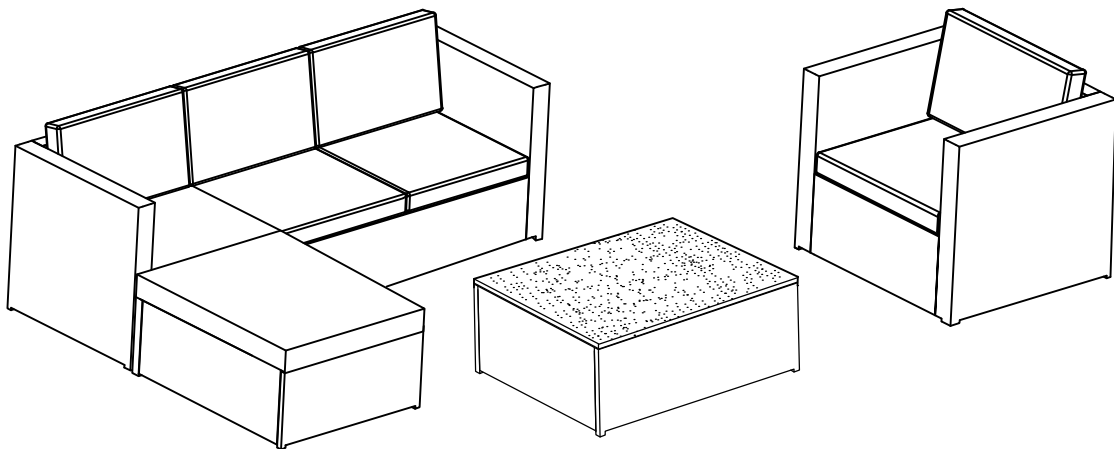
Assembly Instructions

Caution: You must read this before you proceed


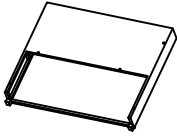
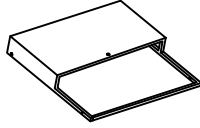

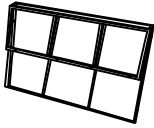
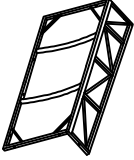
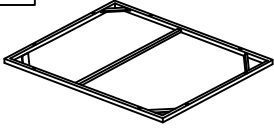
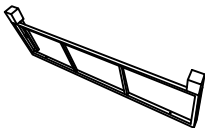
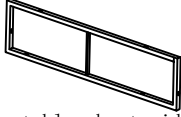
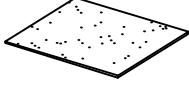
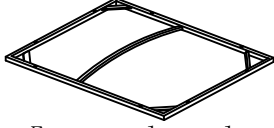
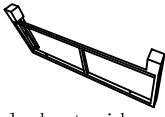
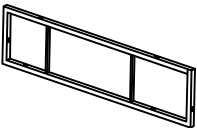








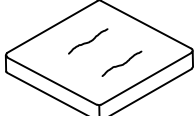

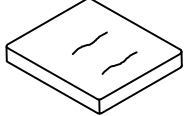
ATTENTION:

1. Please check the manual carefully and make sure you have received all the parts.
2. If there is any missing, please let us know the letter of the parts you need.
3. If there is any damage, please send clear photos to us, we will check and offer you best solution soon.

Four piece sofa set



Part List

<p>A</p>  <p>Left arm Panel</p>	<p>B</p>  <p>Right arm Panel</p>	<p>C</p>  <p>Single backrest</p>	<p>D</p>  <p>Single seat</p>
2PCS	2PCS	1PC	1PC
<p>E</p>  <p>Three seat backrest</p>	<p>F</p>  <p>Three seat</p>	<p>G</p>  <p>Coffee table panel</p>	<p>H</p>  <p>Coffee table long side panel</p>
1PC	1PC	1PC	2PCS
<p>I</p>  <p>Coffee table short side panel</p>	<p>J</p>  <p>Temper glass</p>	<p>K</p>  <p>Foot stool panel</p>	<p>L</p>  <p>Foot stool short side panel</p>
2PCS	1PC	1PC	2PCS
<p>M</p>  <p>Foot stool long side panel</p>	<p>W</p>  <p>M6*30mm</p>	<p>N</p>  <p>M6*35mm</p>	<p>X</p>  <p>M6*40mm</p>
2PCS	8PCS	16PCS	4PCS
<p>O</p>  <p>M6*55mm</p>	<p>P</p>  <p>M6</p>	<p>Q</p>  <p>M6</p>	<p>R</p>  <p>M6</p>
21PCS	49PCS	21PCS	1PC
<p>S</p>  <p>M6</p>	<p>T</p>  <p>Seat cushion</p>	<p>U</p>  <p>Back cushion</p>	<p>V</p>  <p>Stool cushion</p>
1PC	4PCS	4PCS	1PC


single person sofa


Assembly Steps


STEP1

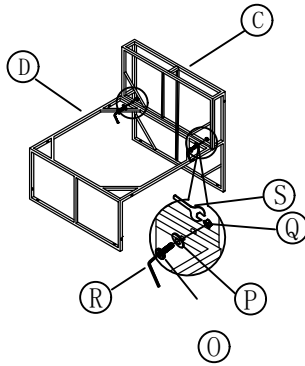
C*1

D*1

O*2 

P*2 

Q*2 



STEP2

A*1

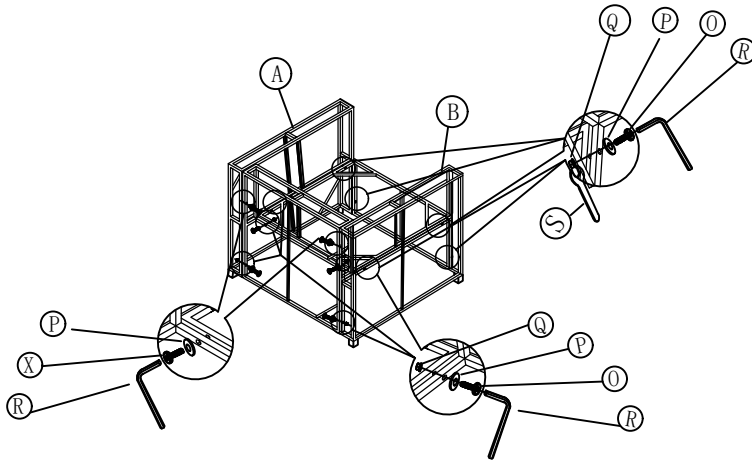
B*1

X*2 

O*7 

P*9 

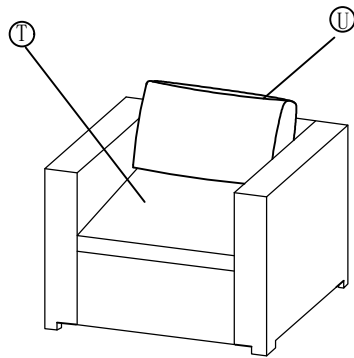
Q*7 



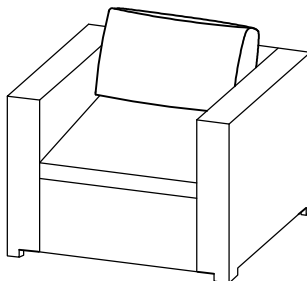
STEP3

T*1

U*1



STEP4



Three seat sofa

Assembly Steps

STEP1

A*1

B*1

E*1

X*2



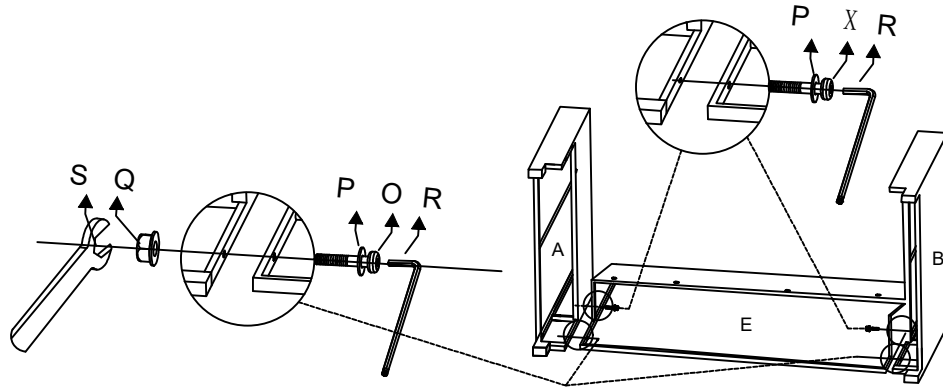
O*2



P*4



Q*2



STEP2

F*1

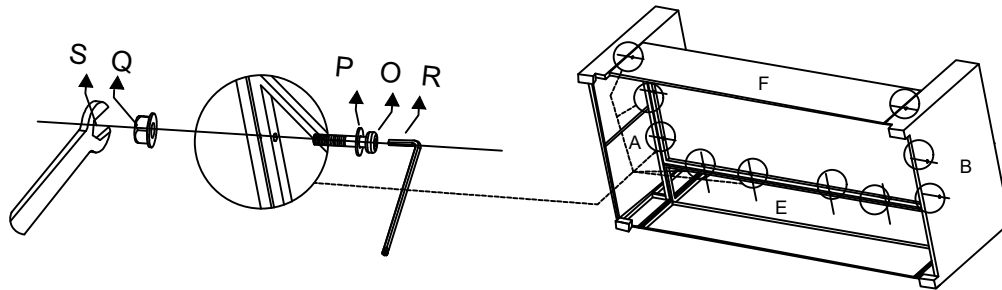
O*10



P*10



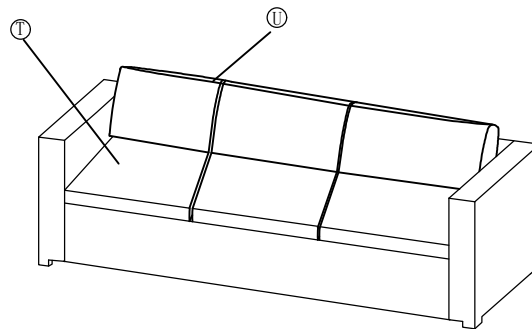
Q*10



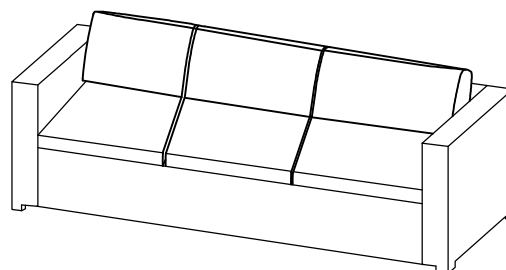
STEP3

T*3

U*3



STEP4



Coffe table


Assembly Steps

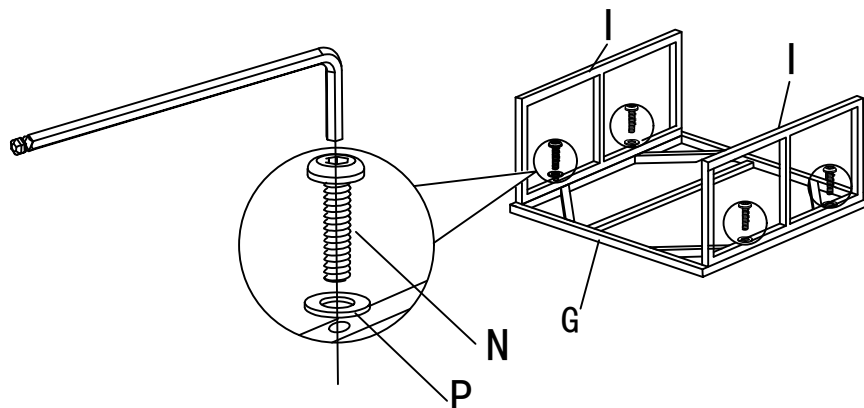
STEP1

G*1

I*2


N*4 


P*4 




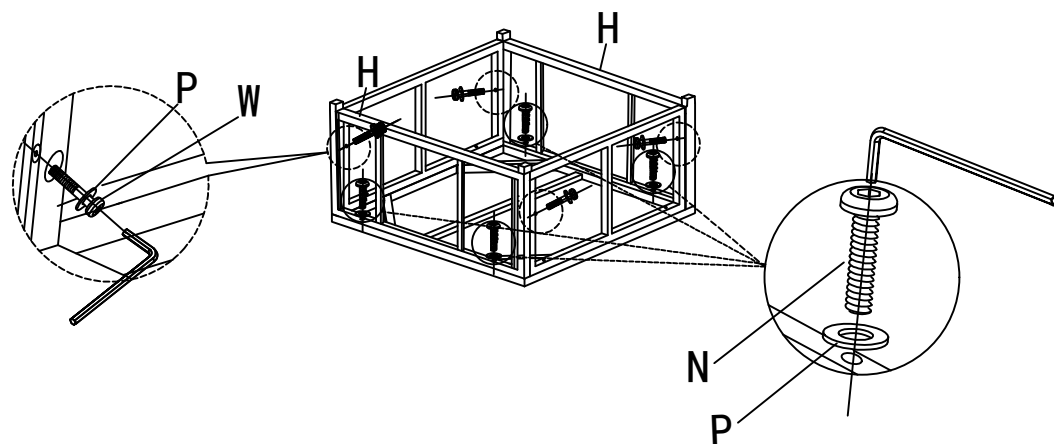
STEP2

H*2

N*4 

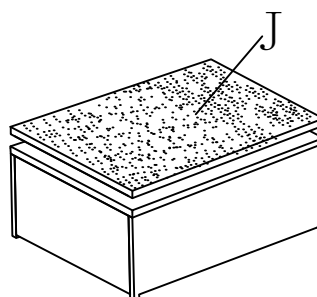
W*4 

P*8 

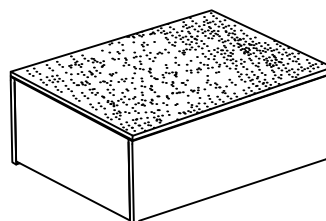


STEP3

J*1



STEP4




Foot stool


Assembly Steps

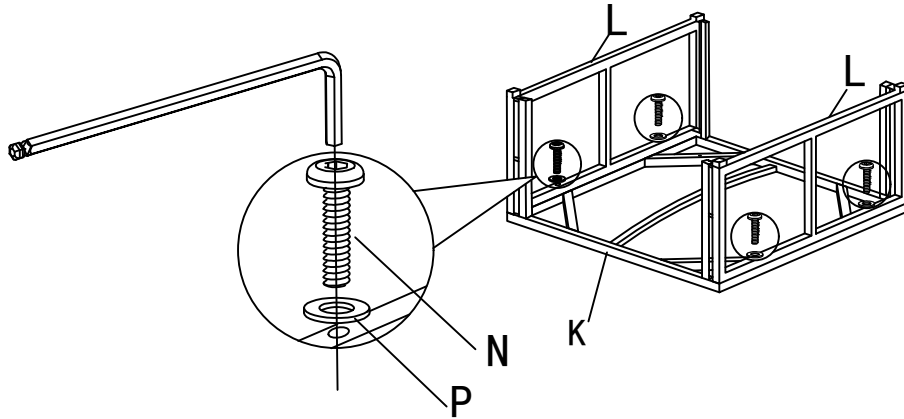
STEP1

K*1

L*2


N*4 


P*4 




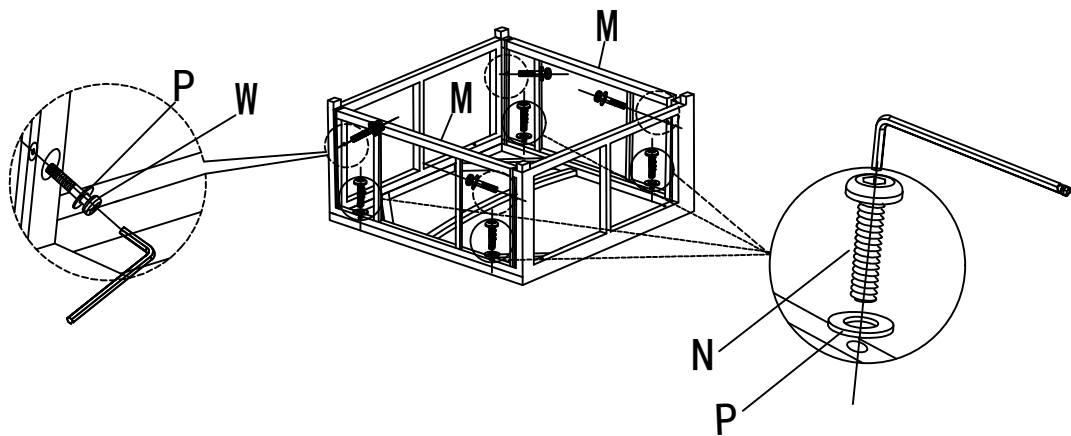
STEP2

M*2

N*4 

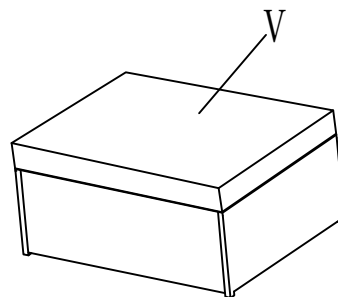
W*4 

P*8 



STEP3

V*1



STEP4

